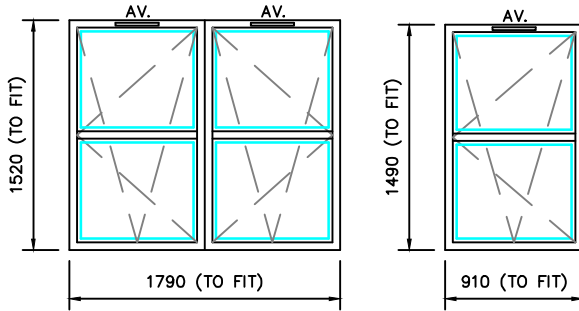


VENTS FITTED TO HEAD OF EACH OPENING SASH, AS SHOWN.

TILT & TURN STYLE, WITH SOLID MID HEIGHT TRANSOM.

WINDOW TO HAVE EXTENDED uPVC CILL TO DISPERSE WATER FROM BOTTOM OF WINDOW.

Proposed Replacement Window to Lounge/GF Front Elevation

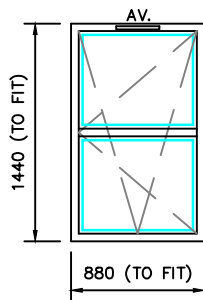


VENTS FITTED TO HEAD OF EACH OPENING SASH, AS SHOWN.

TILT & TURN STYLE, WITH SOLID MID HEIGHT TRANSOM.

WINDOW TO HAVE EXTENDED uPVC CILL TO DISPERSE WATER FROM BOTTOM OF WINDOW.

Proposed Replacement Windows to Bedrooms/FF Front Elevation

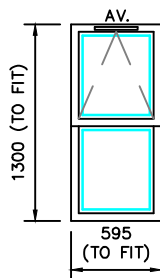


VENTS FITTED TO HEAD OF EACH OPENING SASH, AS SHOWN.

TILT & TURN STYLE, WITH SOLID MID HEIGHT TRANSOM.

WINDOW TO HAVE EXTENDED uPVC CILL TO DISPERSE WATER FROM BOTTOM OF WINDOW.

Proposed Replacement Window to Bedroom/FF Rear Elevation



VENTS FITTED TO HEAD OF EACH OPENING SASH, AS SHOWN.

TOP-HUNG CASEMENT STYLE, WITH FIXED, NON-OPENING LOWER PANE. WINDOW TO BE FITTED WITH OBSCURED GLAZING.

WINDOW TO HAVE EXTENDED uPVC CILL TO DISPERSE WATER FROM BOTTOM OF WINDOW.

Proposed Replacement Window to Bathroom/FF Rear Elevation

Stuart Patterson

Building & Timber Frame Design

5 Burnflat Lane, Hawick,
Roxburghshire, TD9 0DZ

phone - 01450 375772

email - stuartpattersondesign@gmail.com

CLIENT/PROJECT

Mr & Mrs Fox.
REPLACEMENT WINDOWS AT
'CRAIGARD', CANNONGATE,
DENHOLM.

DRAWING TITLE

PROPOSED WINDOW DETAILS (1 of 2)

SCALE

1:50..

DATE

18/6/21

DRAWING No.

21-735-2001